

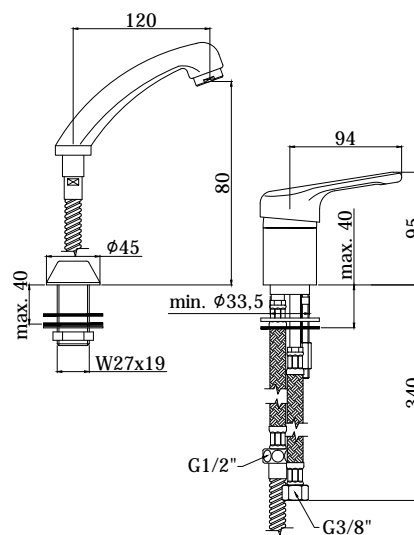
COLLECTION

# nettuno

## PRODUCT IMAGE



## TECHNICAL DRAWING



## DESCRIPTION

Hairdresser mixer complete with:

- 1/2"-M15x1 / L.1500 mm nylon hose with weight
- set of 3 stainless steel hoses 3/8"G

## ART.

**NT 087 . .**

with (single spray) pull out hand-shower

## FINISHES

**NT**

CR - cromo

## DOCUMENTATION



INSTALLATION  
INSTRUCTIONS



PRODUCT PAGE

[www.paffoni.it](http://www.paffoni.it)